

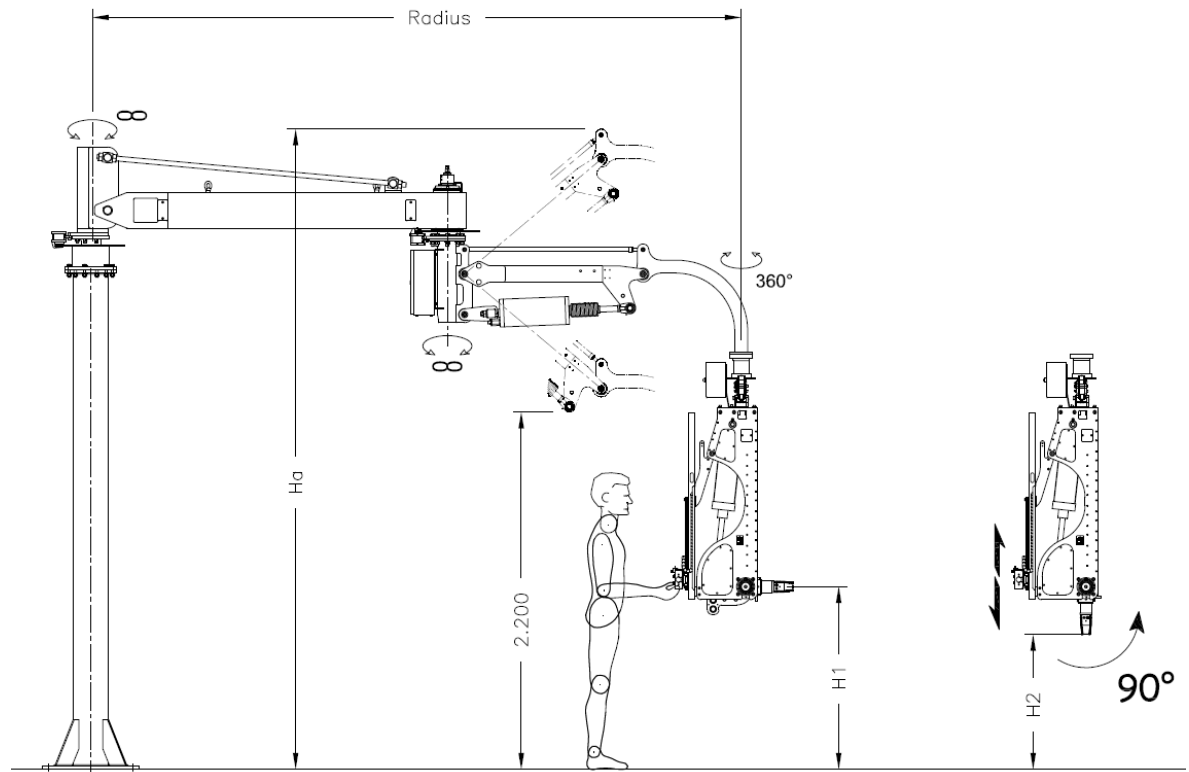
## FAMATEC EFFrm

**Rigid arm manipulators**  
**Gripping system with mandrel**  
 Internal diameter 76mm/3 inches  
 Optional for 152mm/6 inches

Column configuration  
 Balancing system with up/down buttons

Brakes on all rotation axes.  
 Stainless steel mandrel.  
 Console quickly adjustable in height.

Features:  
 Pneumatic inclination 90°.



Model	Load capacity (Kg/lbs.)	H1 (mm/in.)		Ha (mm)	H2 (mm/in.)		Radius (m/ft.)		
		Min.	Max.		Min.	Max.	3/9.8	4/13.1	6/19.7
EFFrm 60	60/130	300/12	1.950/76	4.070/160	0	1.650/65	Yes	Yes	Yes
EFFrm 100	100/285	300/12	1.950/76	4.070/160	0	1.650/65	Yes	Yes	Yes
EFFrm 150	150/330	300/12	1.700/66	3.944/155	0	1400/55	Yes	Yes	Yes
EFFrm 250	250/550	300/12	1.700/66	3.944/155	0	1400/55	Yes	Yes	No
EFFrm 350	350/770	300/12	1.700/66	3.944/155	0	1400/55	Yes	No	No
EFFrm 500	500/1100	300/12	1.700/66	3.944/155	0	1400/55	Yes	No	No

Rotation axes: Column 270°, second arm 250°, third arm (parallelogram) continuous rotation, Gripping tool 360°  
 For fixing the column to the floor, a floor slab class C20/25 (ENV 206) with minimum thickness of 200mm (8") is needed.