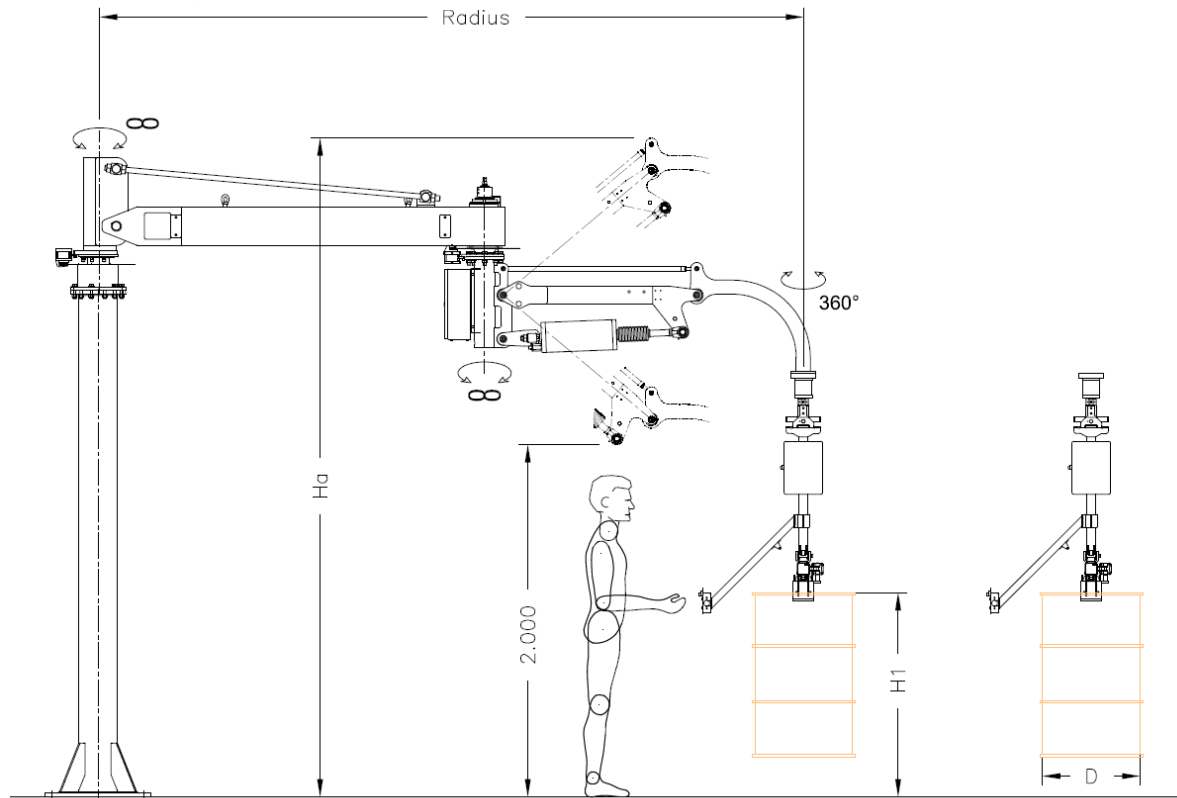


FAMATEC PZero
JA

Rigid arm manipulators
Gripping system with 2 jaws clamp

Column configuration
Balancing system with up/down buttons
Brakes on all rotation axes.
Jaws covered with plastic.

Features:
moving drums in horizontal position.



Model	Load capacity (Kg/lbs.)	H1 (mm/in.)		Ha (m/in.)	D (mm/in.)		Radius (m/ft.)		
		Min.	Max.		Min.	Max.	3/9.8	4/13.1	6/20.6 *
JA 60	60/132	300/12	1.950/76	3.87/12.7	350/13.7	550/21.6	Yes	Yes	Yes
JA 100	100/220	300/12	1.950/76	3.87/12.7	400/15.7	550/21.6	Yes	Yes	Yes
JA 220	220/485	300/12	1.700/66	3.74/12.3	550/21.6	650/25.5	Yes	Yes	No
JA 300	300/660	300/12	1.700/66	3.74/12.3	550/21.6	650/25.5	Yes	Yes	No

* Rotation axes: Column 270°, second arm 250°, third arm (parallelogram) continuous rotation, Gripping tool 360°

- For fixing the column to the floor, a floor slab class C20/25 (ENV 206) with minimum thickness of 200mm (8 in.) is needed..