

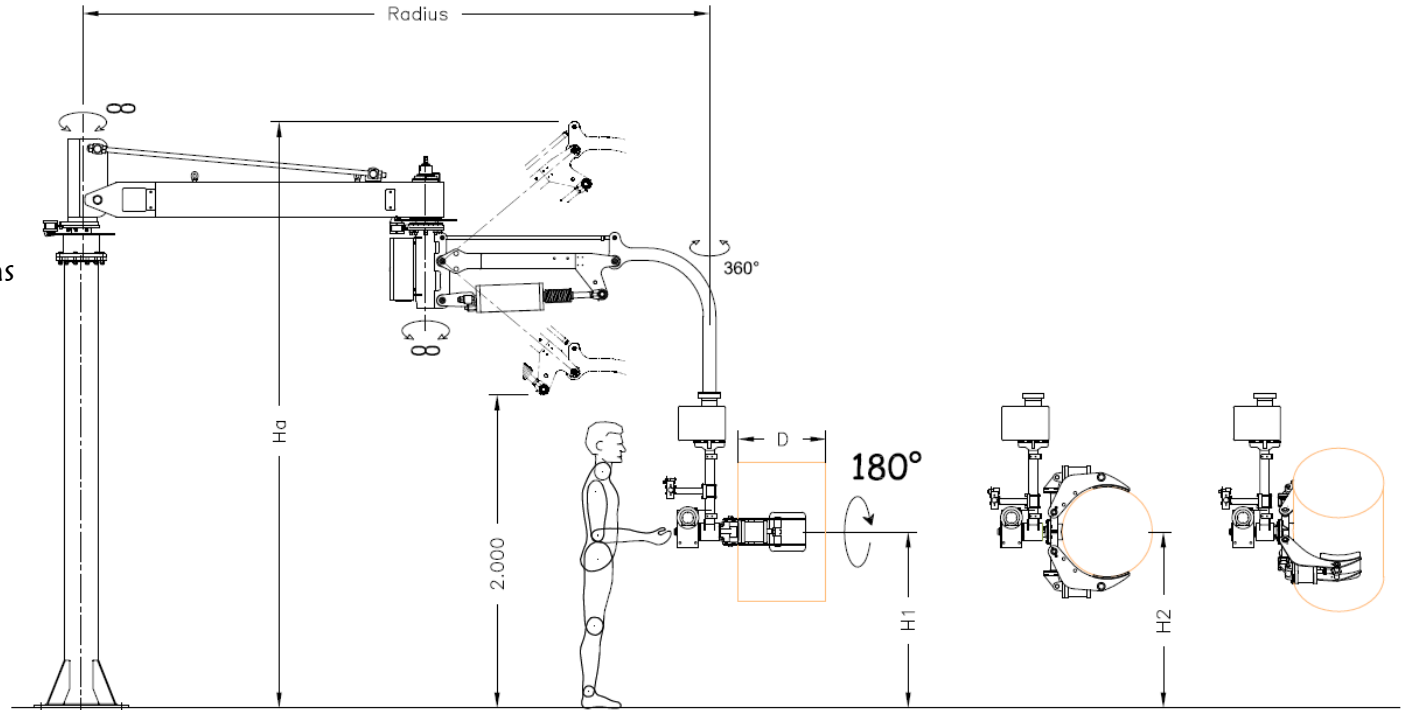
FAMATEC PZero
EM

Rigid arm manipulators
Gripping system with 2 jaws clamp

Column configuration
Balancing system with up/down buttons

Brakes on all rotation axes.
Jaws covered with rubber.

Features:
Pneumatic rotation 180°.



Model	Load capacity (Kg/Lbs.)	H1 = H2 (mm/in.)		Ha (m/ft.)	D (mm/in.)		Radius (m/ft.)		
		Min.	Max.		Min.	Max.	3/9.8	4/13.1	6/19.6 *
EM 80	80/175	300/12	1950/76	3.87/12.7	350/13.7	550/21.6	Yes	Yes	Yes
EM 150	150/330	300/12	1700/66	3.74/12.3	400/15.7	550/21.6	Yes	Yes	Yes
EM 250	250/550	300/12	1700/66	3.74/12.3	550/21.6	650/25.5	Yes	Yes	No
EM 330	330/725	300/12	1700/66	3.74/12.3	550/21.6	650/25.5	Yes	Yes	No

* Rotation axes: Column 270°, second arm 250°, third arm (parallelogram) continuous rotation, Gripping tool 360°

- For fixing the column to the floor, a floor slab class C20/25 (ENV 206) with minimum thickness of 200mm/8 in., is needed.